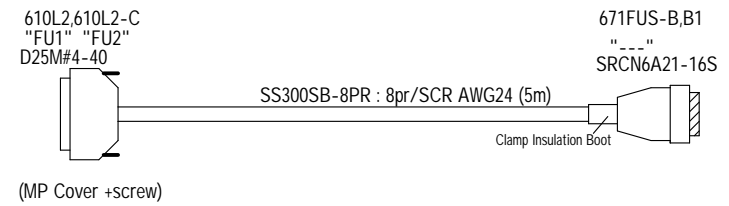
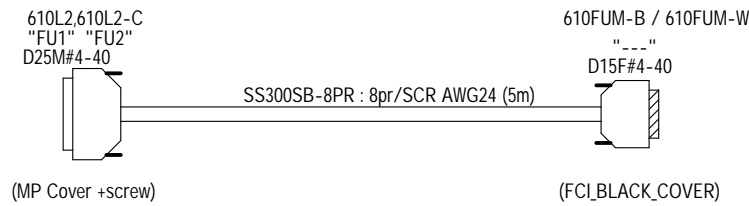
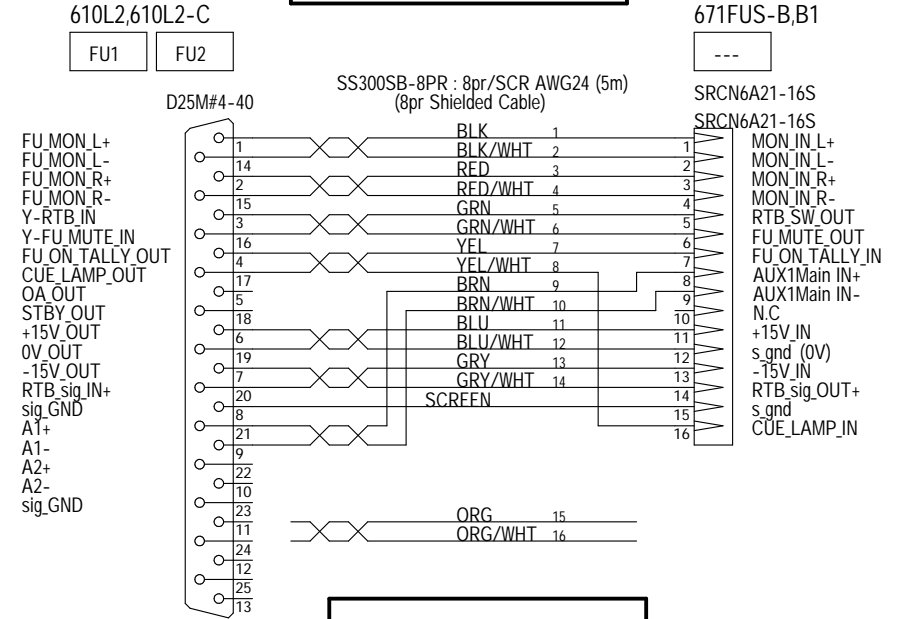
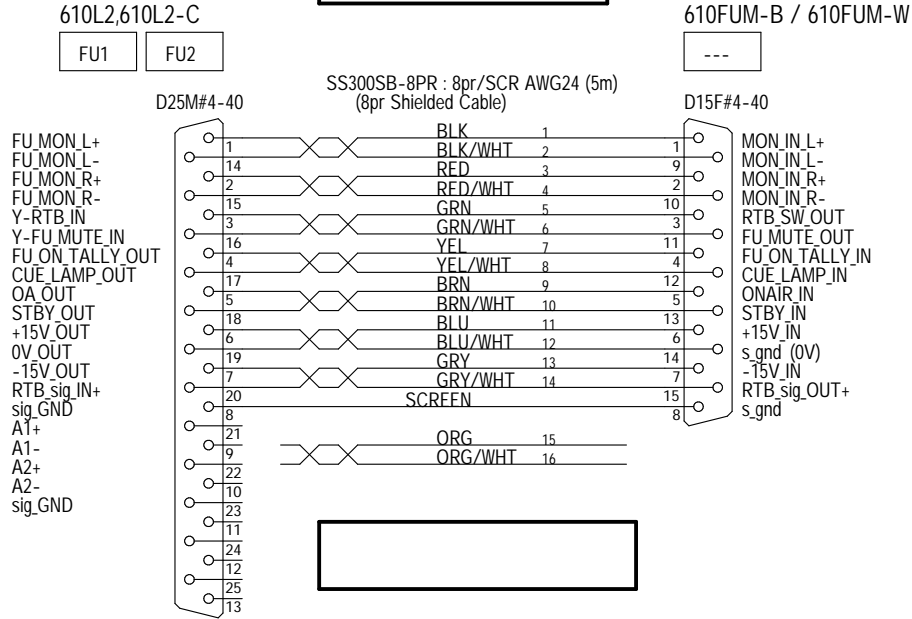


Part No. **610LC_L05**

Part No. **610LC671_L05**



SS300SB-8P-#24 CABLE

SS300SB-8P-#24 CABLE

Date	note	Title	
Rev.4 '00.00/00	----	610LC_L05 / 610LC671_L05	
Rev.3 '00.00/00	----	Author	Draw
Rev.2 '00.00/00	----	-	KAS
Rev.1 '00.00/00	----	610L2--FU Cable Wiring 1a SCH	
Gecko electronics		Last Edit	19.12.2022
		Drw No.	610LC_L05W1a
		Scale	N.T.S